

RELAYS & CONTACTORS

OMRON POWER RELAYS G7L SERIES



OMRON®

DESCRIPTION

The **Omron G7L Series** relays are heavy duty power relays commonly used for controlling refrigeration, HVAC equipment, heater loads, and lighting controls. High-power handling capability up to 30A, small size, and low cost characterize these relays. They are available in single and double pole models and are surface mounted or DIN rail mounted with the PL7F-06 socket.

FEATURES

- **High power capability**
- **Small size**
- **Low cost**
- **Push-to-test button**
- **Optional DIN rail screw terminal socket**



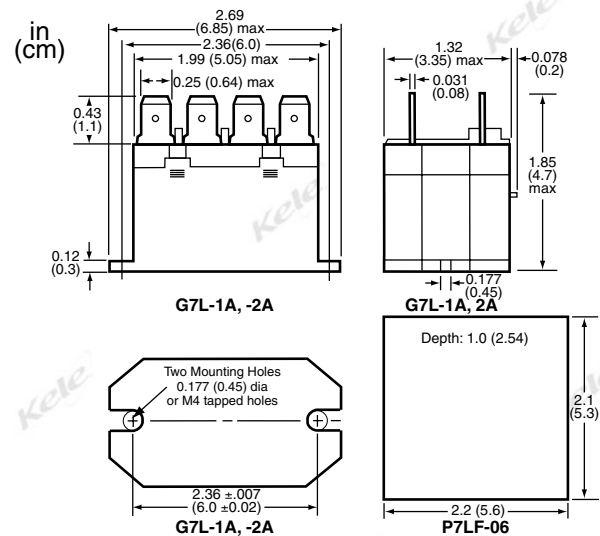
G7L Series



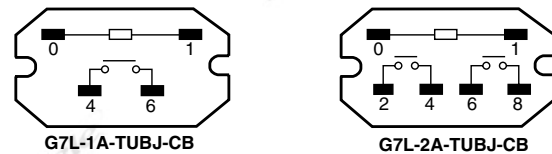
SPECIFICATIONS

Coil Voltage	24V, 26.4V maximum, 120V 50/60 Hz. 132V maximum
Coil Power	AC: 2.5 VA, DC: 2.0W
Pull In Voltage	18V, 75V
Drop Out Voltage	3.6V, 18V, 20V
Contact Rating	G7L-1A: Resistive: 30A, 277 VAC General purpose: 25A, 277 VAC 30A 120 VAC Tungsten: 1.5 kW, 120 VAC Horsepower: 1.5 hp, 120 VAC G7L-2A: Resistive: 25A, 277 VAC General purpose: 25A, 277 VAC 25A 120 VAC Tungsten: 1.3 kW, 120 VAC Horsepower 1 hp, 120 VAC 2 hp, 277 VAC
Contact Resistance	50 mΩ maximum
Terminals	0.25" x 0.031" quick connects
Contact Material	Silver cadmium oxide
Dielectric Strength	2000 VAC between contacts, 4000 VAC between coil and contacts
Operate Time	30 ms maximum
Release Time	30 ms maximum
Operating Temperature	-13° to 140°F (-25° to 60°C)
Mounting	Top-mount cover with slotted tabs or DIN rail surface-mount socket with screw terminals
Approvals	UL-recognized component, File #E41643: CSA certified, File #LR35535: CE certified
Weight	0.2 lb (0.091 Kg)
Warranty	1 year

DIMENSIONS



WIRING



ORDERING INFORMATION

MODEL	DESCRIPTION
G7L-1A-TUBJ-CB-24VAC	SPST-N.O. Power relay 24 VAC
G7L-1A-TUBJ-CB-24VDC	SPST-N.O. Power relay 24 VDC
G7L-1A-TUBJ-CB-120VAC	SPST-N.O. Power relay 120 VAC
G7L-2A-TUBJ-CB-24VAC	DPST-N.O. Power relay 24 VAC
G7L-2A-TUBJ-CB-24VDC	DPST-N.O. Power relay 24 VDC
G7L-2A-TUBJ-CB-120VAC	DPST-N.O. Power relay 120 VAC

RELATED PRODUCTS

P7LF-06	DIN rail/surface mount socket
----------------	-------------------------------